

KHANNUR VIDYANIKETHAN SCHOOL, RANEBENNUR

MID TERM EXAMINATION OCTOBER 2020

Grade – VIII

Subject – MATHEMATICS

Marks – 40

(USE MATHEMATICS HW NOTEBOOK TO ANSWER)

General Instructions:

- 1) All the questions are compulsory.
- 2) This questions paper contains 16 questions divided into Four sections A, B, C and D
 - Section A comprises 4 questions of 1 mark each.
 - Section B comprises 4 questions of 2 marks each.
 - Section C comprises 4 questions of 3 marks each.
 - Section D comprises 4 questions of 4 marks each

Section – A

I) Fill in the blanks:

1X4=4

- 1) Zero has _____ reciprocal.
- 2) Numerical co – efficient of $-4x$ is _____.
- 3) The unit's digit of the square of 26387 is _____.
- 4) The standard form of 0.0000000000085 is _____.

Section – B

II) Solve as directed:

2X4=8

- 5) Write ten rational numbers between $\frac{-2}{5}$ and $\frac{1}{2}$.
- 6) Solve $2y + \frac{5}{3} = \frac{26}{3} - y$
- 7) Express 49 as the sum of 7 odd numbers.
- 8) Find the value of m for which $5^m \div 5^{-3} = 5^5$

Section – C

III) Do as directed:

3X4=12

- 9) Find the product of $7ab$, a^3b^2 and ab .
- 10) Solve $\frac{3t-2}{4} - \frac{2t+3}{3} = \frac{2}{3} - t$.
- 11) Simplify $\frac{3^{-5} \times 10^{-5} \times 125}{5^{-7} \times 6^{-5}}$

12) Find the smallest number that is divisible by each of the numbers 4, 9 and 10.

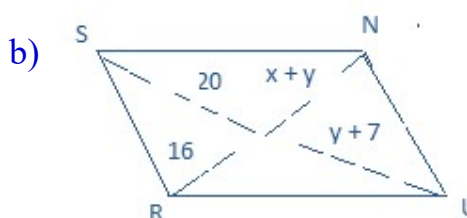
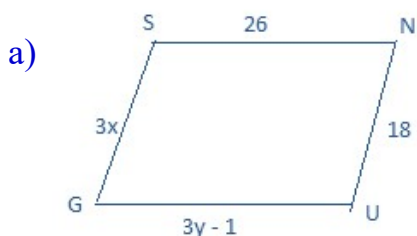
Section – D

IV) Do as directed:

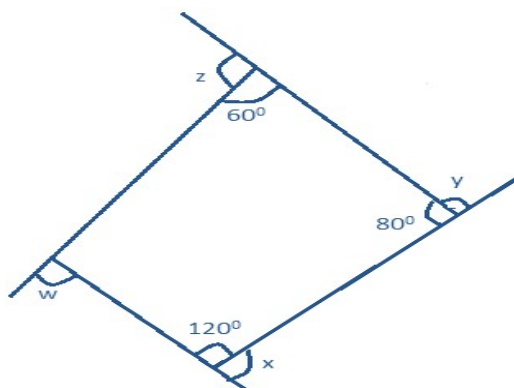
4X4=16

13) Half of a herd of deer are grazing in the field and three fourths of the remaining are playing nearby, the rest 9 are drinking water from the pond. Find the number of deer in the herd.

14) The following figures GUNS and RUNS are Parallelograms. Find x and y.
(Lengths are in cm)



15) Find $x + y + z + w$ in the given figure.



16) Represent these numbers on the number line:

a) $\frac{7}{4}$

b) $-\frac{5}{6}$

SUBMIT THIS ANSWER NOTE BOOK TO GRADE BUILDING ON THE LAST DAY OF YOUR MID TERM EXAM